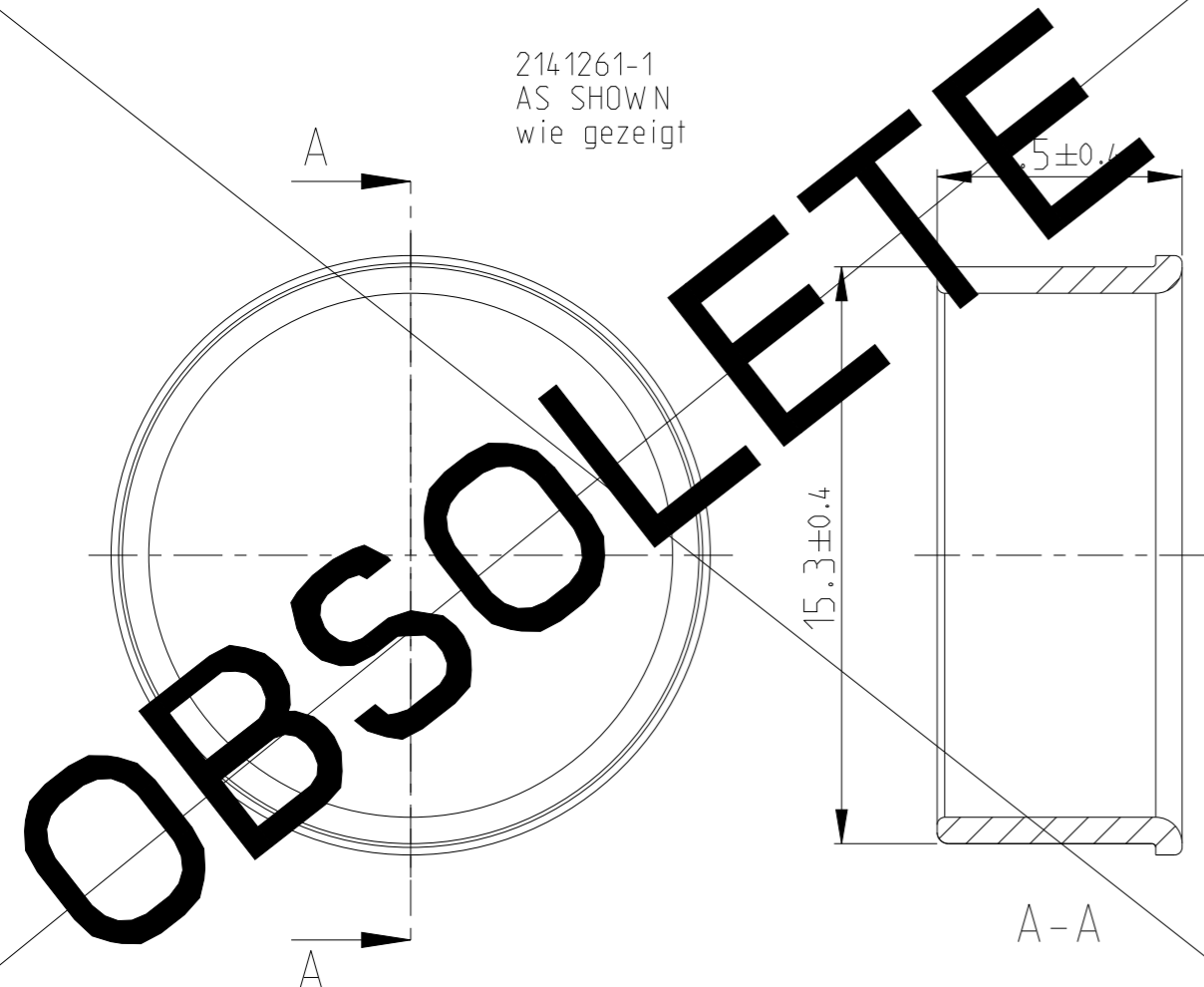


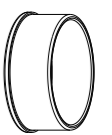
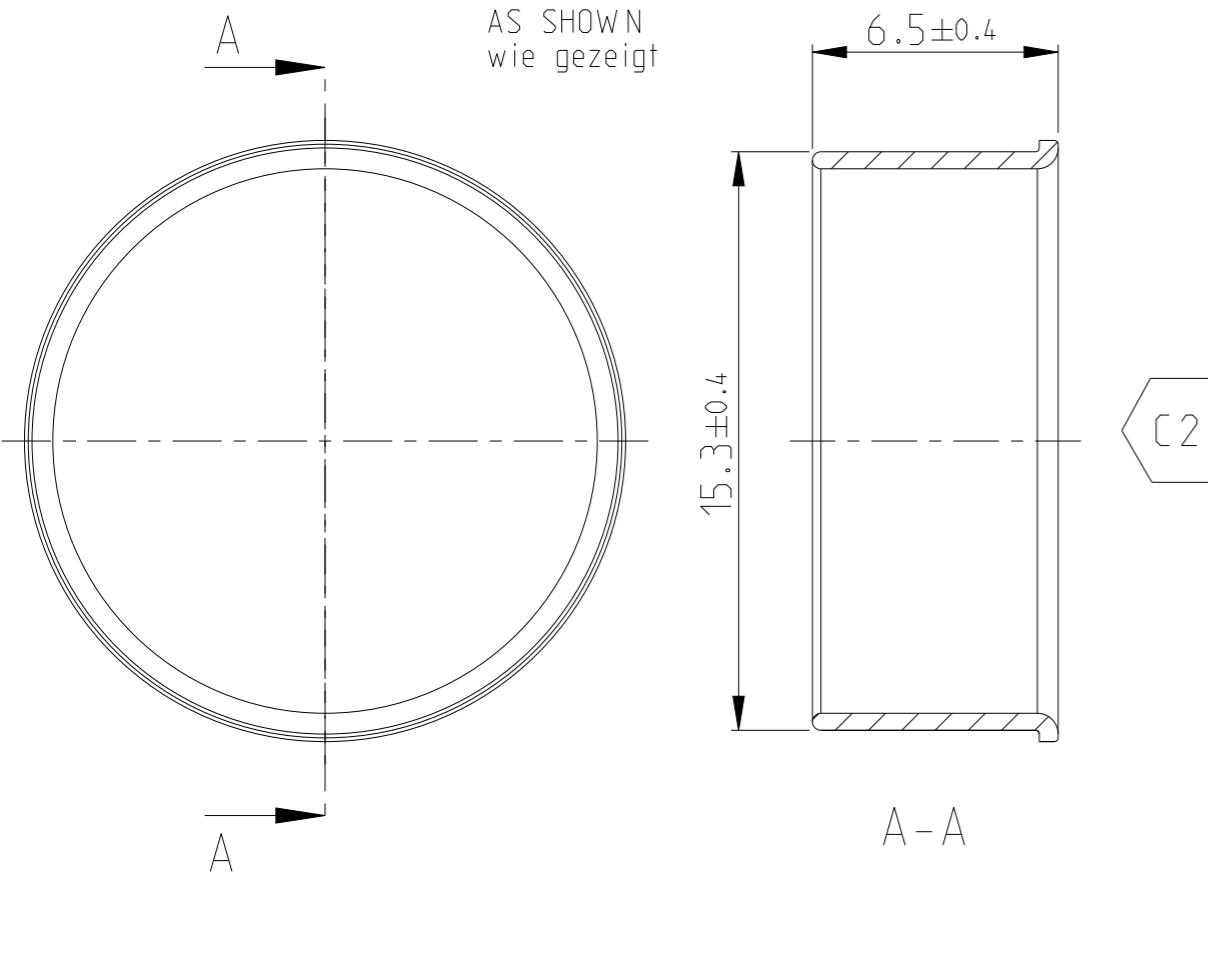
P	LTR	DESCRIPTION	DATE	DWN	APVD
	C	SMALL SERIES SHEET 2/2 OBSOLETE	13JAN2017	RSC	KKI
	C1	VARIANT 1-2141261-1 ADDED	28FEB2018	RSC	RSC
	C2	0-2141261-1 PART IS REPLACED BY 1-2141261-1	02OCT2021	JJH	TSV

2141261-1
AS SHOWN
wie gezeigt



- 1 THE GERMAN TEXT IS BINDING
Der deutsche Text ist verbindlich
- 2 PACKING: BULK PACKAGING IN CORRUGATED SHIPPING BOX
Verpackung: Schuettgut in Versandkarton
- 3 USED ON:
 - HVA630-2phm, KIT-NO. 2287490
 - HVA630-5phm, KIT-No. 114-94114-1
 Verwendet fuer :
 - HVA630-2phm, KIT-Nr. 2287490
 - HVA630-5phm, KIT-Nr. 114-94114-1

1-2141261-1
AS SHOWN
wie gezeigt



1:1

1-2141261-1	SHIELD CRIMP FERRULE, INNER Untercrimphuelse	DEEP DRAWN PART Tiefziehteil	STAINLESS STEEL Edelstahl	1.3
0-2141261-1	SHIELD CRIMP FERRULE, INNER Untercrimphuelse	TURNED PART Drehteil		
TE-ORDER-NO.	DESCRIPTION	PRODUCTION PROCESS	MATERIAL	WEIGHT [g]

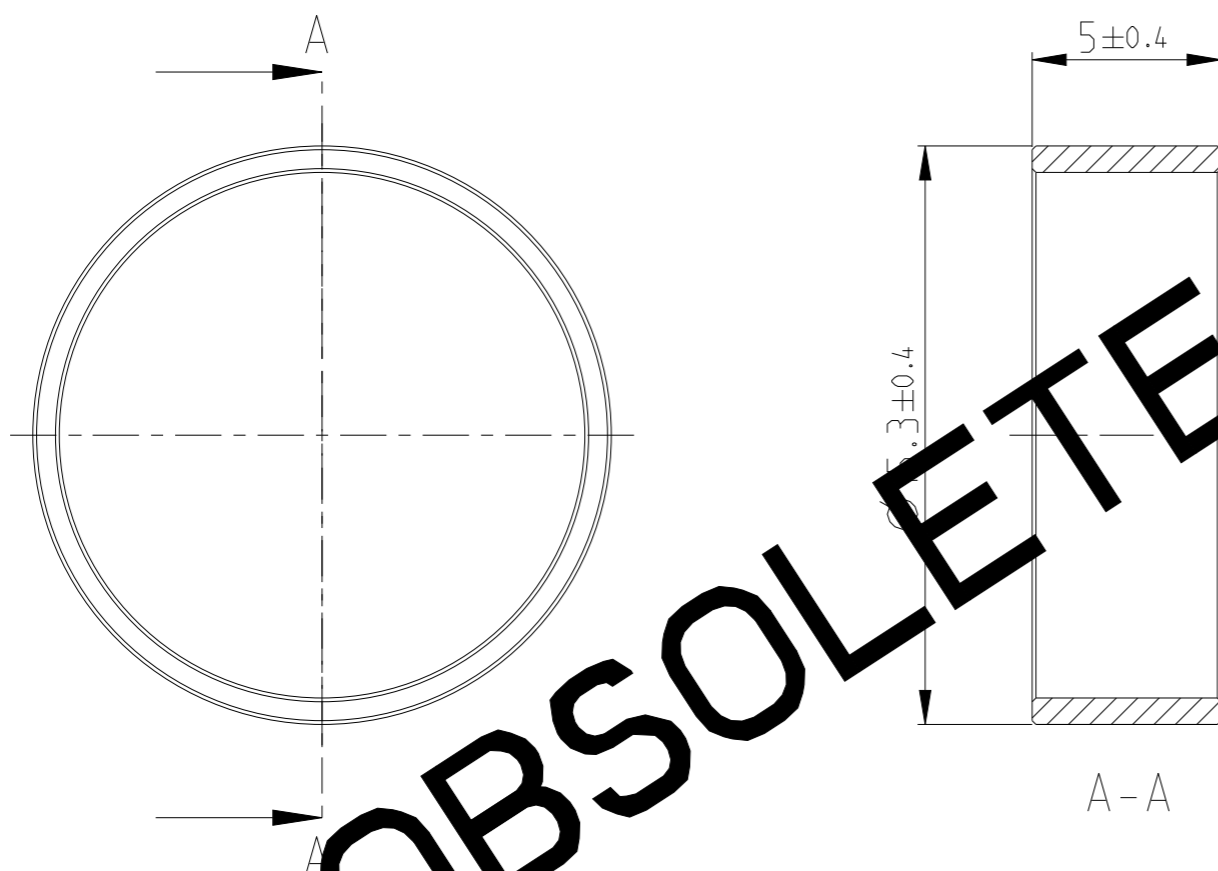
THIS DRAWING IS A CONTROLLED DOCUMENT. DIMENSIONING AND TOLERANCING PER GPS (ISO STANDARDS).

DWN Vishwa A 10FEB2011				
CHK R.Schwan 24NOV2011				
APVD T.Reissnegger 24NOV2011				
PRODUCT SPEC 108-94264				
APPLICATION SPEC 114-94100	NAME SHIELD CRIMP FERRULE, INNER Untercrimphuelse			
WEIGHT SEE TABLE	SIZE A3	CAGE CODE 00779	DRAWING NO C-2141261	RESTRICTED TO -
CUSTOMER DRAWING	SCALE 5:1	SHEET 1 OF 2	REV C2	

DIMENSIONS:	TOLERANCES UNLESS OTHERWISE SPECIFIED:
mm	
0 PLC	±
1 PLC	±
2 PLC	±
3 PLC	±
4 PLC	±
ANGLES	±
FINISH	-

P	LTR	DESCRIPTION	DATE	DWN	APVD
-		SEE SHEET 1	-	-	-

9-2141261-1	A	SHIELD CRIMP FERRULE, INNER Untercrimphülse	STAINLESS STEEL Edelstahl	1.3
TE- ORDER-NO.	REV	DESCRIPTION	MATERIAL	WEIGHT [g]



NOTES
Bemerkungen

- 1 IN CASE OF DISCREPANCIES BETWEEN GERMAN AND ENGLISH TEXT THE GERMAN TEXT IS BINDING
Im Falle von Unterschieden zwischen dem deutschen und dem englischen Text ist der deutsche Text verbindlich
- 2 PACKING: BULK PACKAGING IN CORRUGATED SHIPPING BOX
Verpackung: Schuettgut in Versandkarton
- 3 USED ON 2 POS, HV, REC HSG,
Verwendet fuer 2pol. gedichtete Assy, HV 114-94100-1

---OBSOLETE---OBSOLETE---

THIS DRAWING IS A CONTROLLED DOCUMENT.		DWN Vishwa A 10FEB2011			
DIMENSIONS: mm		CHK R.Schwan 24NOV2011			
TOLERANCES UNLESS OTHERWISE SPECIFIED:		APVD T.Reissnegger 24NOV2011	NAME SHIELD CRIMP FERRULE, INNER Untercrimphülse		
		PRODUCT SPEC 108-94264	RESTRICTED TO		
MATERIAL SEE TABLE		APPLICATION SPEC 114-94100	SIZE A 3	CAGE CODE 00779	DRAWING NO C=2141261
FINISH		WEIGHT SEE TABLE	SCALE 5:1	SHEET 2 OF 2	REV C 2
		CUSTOMER DRAWING			